

VT100D/W Duct-mount HVAC Temperature, Humidity & CO Transmitter

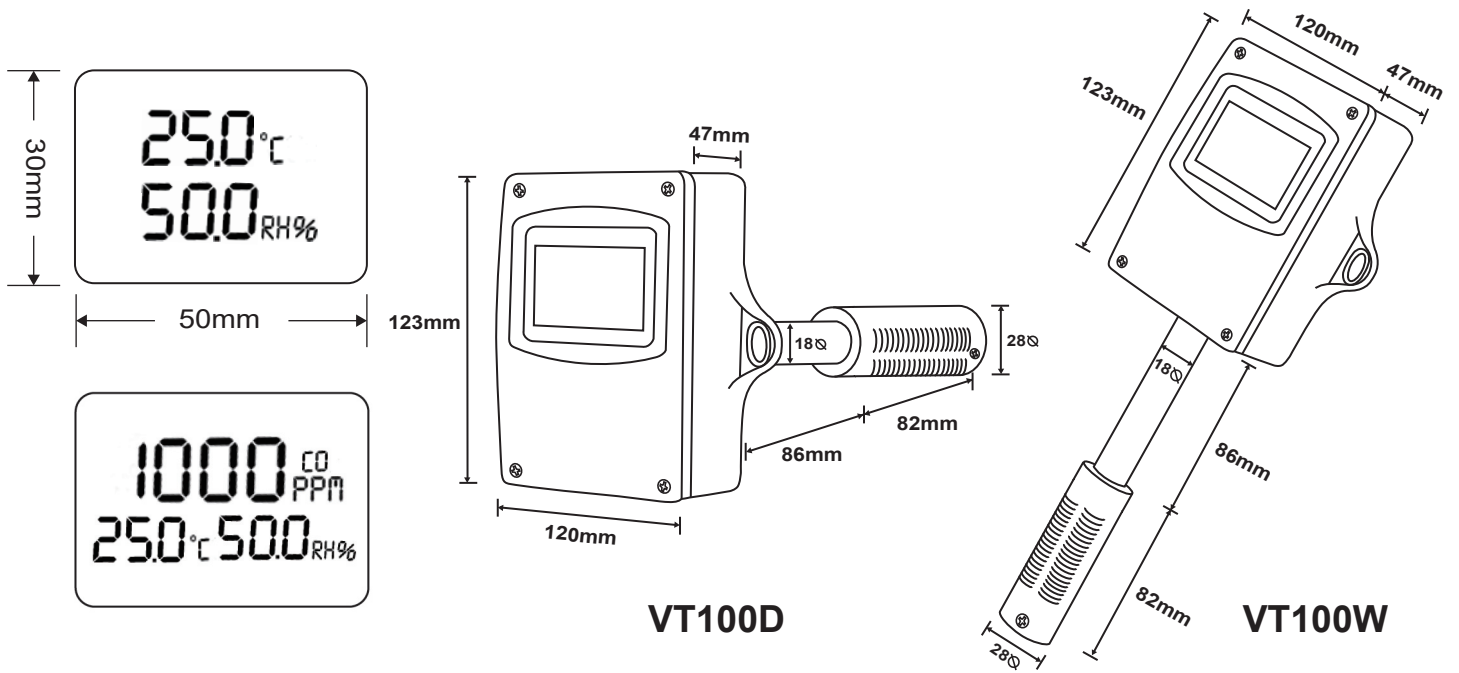
Features :

- ▶ CO (Carbon monoxide) Measuring Method : Electrochemistry
- ▶ Temperature / Humidity sensing element : CMOSens sensor
- ▶ Retransmission Output : 4~20mA or 0~10V
- ▶ Communication Output : RS485 MODBUS RTU (option)
- ▶ Configured using a PC with free software and interface cable (option)
- ▶ Process value offset adjustable (available on CO with Temperature and Humidity display type / option)
- ▶ Digital keypad to adjust output calibration
- ▶ Backlight LCD Indication to show CO concentration



Specifications	
CO Measuring method	Electrochemistry
Temperature / Humidity Sensing element	CMOSens sensor
Load Resistance	4~20mA Current output: max. 500Ω
	1~5V/2~10V Voltage output: min. 600Ω
A / D Resolution	15 bits
Output Response Time	<200 ms
RS485	RS485 MODBUS RTU : N81、N82、O81、E81 Format
Baud Rate	2.4K、4.8K、9.6K、19.2K、38.4K、57.6K、115.2K
RS485 Address	1~255
Display Type (specify when ordering)	CO with Temperature and Humidity/CO
CO Sampling Time	60 seconds
Temperature / Humidity Sampling Time	1~10 seconds available
CO Measuring Range	0~100ppm or 0~300ppm or 0~500ppm (specify according to customer's requirement)
Operating Temperature and Condition	Temperature : -10~50°C
	Humidity : 0~100% RH (non-condensing)
CO Measuring Accuracy	±10ppm
Temperature / Humidity Measuring Accuracy	±3%RH (10~90%RH) (at 25°C) , ±0.4°C (at 25°C)
	(power supply 24VDC, operating temperature at 25°C)
Backlight LCD Indication	Green : 0~9ppm
	Blue : 10~30ppm
	Orange : >31ppm
	(other LCD colors available on request)
Power Supply	DC 24V
Current consumption	DC 50 mA Max
Housing	ABS
Dimensions	Length 123mm x Width 120mm x Depth 47mm , Tube Length 168mm

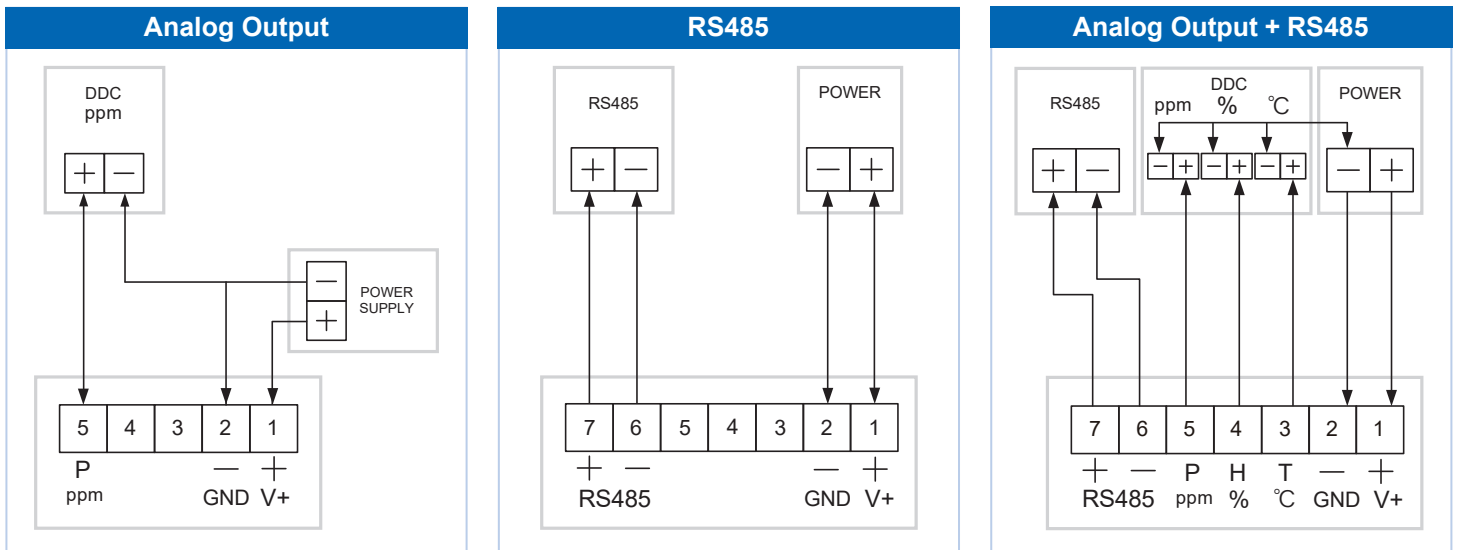
Dimension



VT100D

VT100W

Wiring Diagram



Ordering Information

Model	Code	CO Measuring Range	Code	Temperature Measuring Range	Code	Output	Code	LCD Display	Code	Backlight LCD Indication	Code	RS485	Code
Duct Mount	D	0-100 ppm	1	0-50 °C	1	4-20 mA	M1	Yes	Y	None	0	Yes	Y
Wall Duct Mount	W	0-300 ppm	2	0-100 °C	2	1-5V	V1	No	N	White	1	No	N
		0-500 ppm	3	Specific	3	2-10V	V2			Green	2		
		Specific	4							Blue	3		
										Orange	4		
										Changed by CO Concentration Green→Blue→Orange	5		