

zSignalTrans®

IST-P Isolated 3 wire potentiometer transmitter

Features :

- ▶ Up to 15 User defined linearization points available.
The user linearization feature allows the volume of a tank's contents to be calculated from the height of the material in that container. Up to 15 linearization points can be defined by user in the measurement range.
- ▶ Configurable without Power Connected.
- ▶ 3750 Vrms isolation between input and output.
- ▶ Output :
2-wire loop-power technology, 4 to 20 mA analogue output.
- ▶ Fault signal on sensor break presettable.
- ▶ Accept 200 ~ 60K ohms 3 wire Potentiometer input.
- ▶ Head mount.

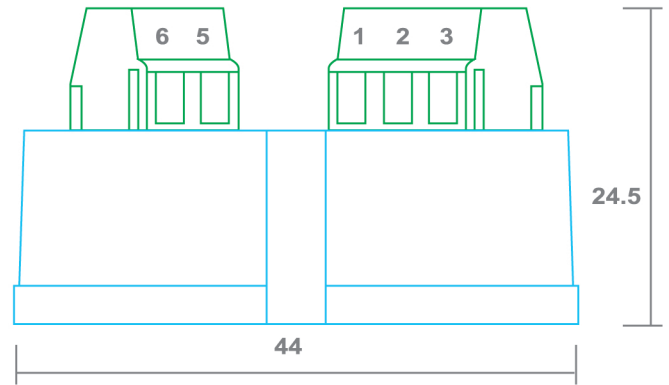
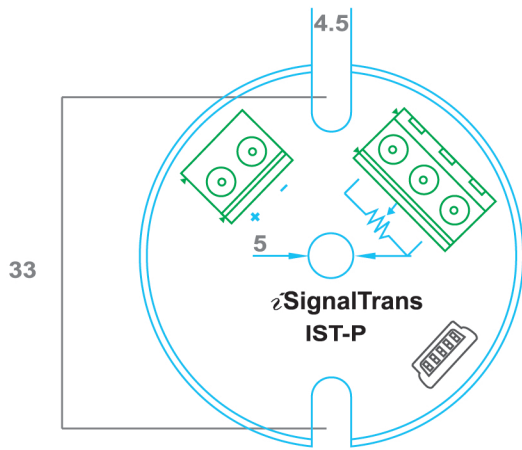


Configuration

The zSignalTrans® IST-P is user configurable using our zSignalwin® software on your PC/notebook or our dedicated handheld programmer. The easy to use zSignalwin® software is available free from your supplier or can be downloaded from our web site and should be used in conjunction with the URC-1020 USB cable which incorporates an interface converter necessary for communications. The IST-P transmitter can be configured without any loop or power connected making it easy to configure in the

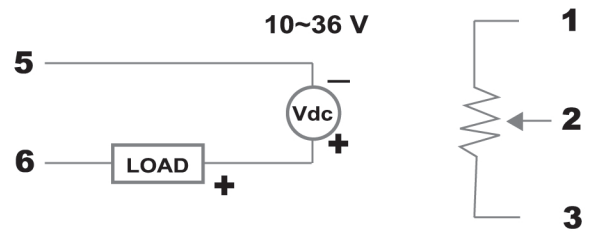
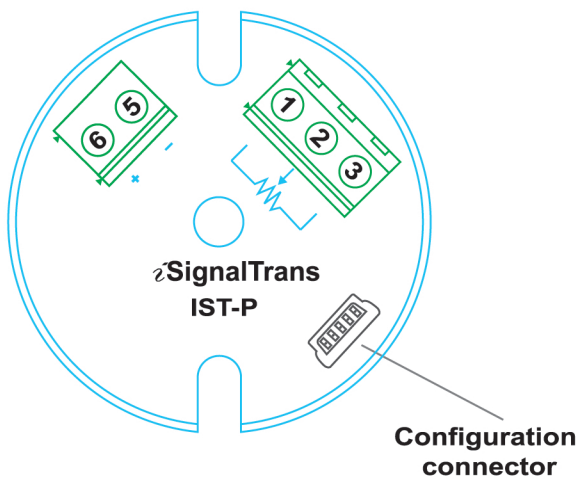
Specification	
Input	Potentiometer 200Ω~60KΩ
Accuracy	± 0.1% F.S.
A/D Resolution	16 bits
Input Sampling Rate	<200 ms
Power Supply	DC10~36V
Max. Load	Max Load = (V-10) / 0.02 (Ω)
Output Resolution	0.6 μA (15 bits)
Output Response Time	<200 ms
Common Mode Rejection Ratio (CMRR)	>80 dB
Electromagnetic Compatibility	En 50081-2, En 50082-2
Galvanic Isolation	3.75 KV. between input and output
Operating Temperature	-10 to 50°C
Humidity	0 to 90% RH

Dimension



(單位: mm)

Wiring Diagram



Ordering Information

IST-P

User Defined Linearization Points	Code
2 points	2
5 points	5
15 points	15