



## VT3000 HVAC / Temperature, Humidity & CO / CO<sub>2</sub> Transmitter

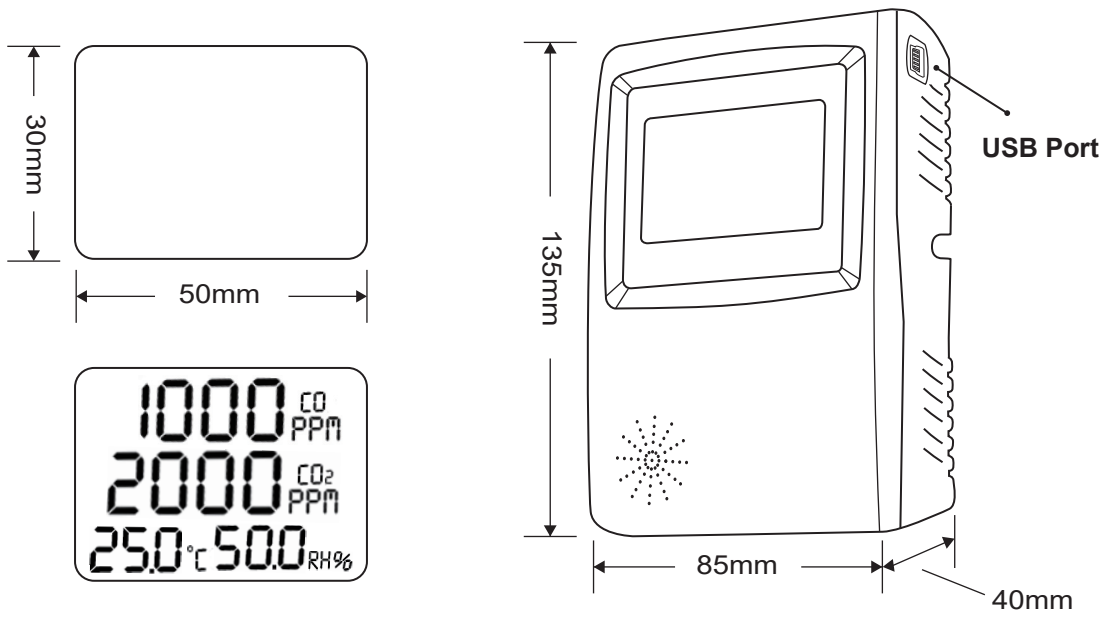
### Features :

- ▶ CO (Carbon monoxide) Measuring Method : Electrochemistry
- ▶ CO<sub>2</sub> (Carbon dioxide) Measuring Method : NDIR Sensor
- ▶ Temperature/Humidity sensing element : CMOSens sensor
- ▶ Retransmission Output : 4~20mA or 0~10V
- ▶ Communication Output : RS485 MODBUS RTU (option)
- ▶ Configured using a PC with free software and interface cable (option)
- ▶ Process value offset adjustable (available on CO with Temperature and Humidity display type/option)
- ▶ Digital keypad to adjust output calibration
- ▶ Backlight LCD Indication to show CO/CO<sub>2</sub> concentration

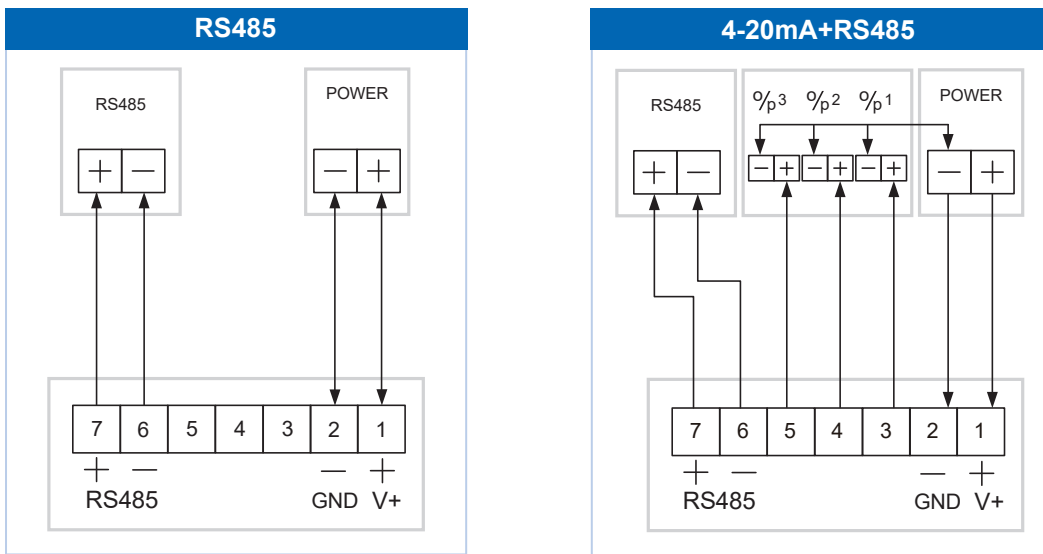


Specifications	
CO Measuring method	Electrochemistry
CO <sub>2</sub> Measuring method	NDIR Sensor
Temperature/Humidity Sensing element	CMOSens sensor
Load Resistance	4~20mA Current output : max. 500Ω      1~5V/2~10V Voltage output : min. 600Ω
A/D Resolution	15 bits
Output Response Time	<200 ms
RS485	RS485 MODBUS RTU : N81, N82, O81, E81 Format
Baud Rate	2.4K、4.8K、9.6K、19.2K、38.4K、57.6K、115.2K
RS485 Address	1~255
Display Type (specify when ordering)	CO with Temperature and Humidity/CO/CO <sub>2</sub>
CO Response Time	60 seconds
CO <sub>2</sub> Sampling Time	1 second
Temperature/Humidity Sampling Time	1~10 seconds available
CO Measuring Range	0~100ppm or 0~300ppm or 0~500ppm (specify according to customer's requirement)
CO <sub>2</sub> Measuring Range	0~2000ppm or 0~5000ppm (RS485 communication required for 0~10000ppm)
Operating Temperature and Condition	Temperature : -10~50°C
	Humidity : 0~100% RH (non-condensing)
CO Measuring Accuracy	±10ppm
CO <sub>2</sub> Measuring Accuracy	±0.02% volume CO <sub>2</sub> ±3% of reading
Temperature/Humidity Measuring Accuracy	±3%RH (10~90%RH)(at 25°C) · ±0.4°C (at 25°C)
	(power supply 24VDC, operating temperature at 25°C)
Backlight LCD Indication (other LCD colors available on request)	CO      Green : 0~9ppm      Blue : 10~30ppm      Orange : >31ppm
	CO <sub>2</sub> Green : 0~600ppm      Blue : 600~1000ppm      Orange : >1001ppm
Power Supply	DC 24V
Current consumption	DC 50mA
Housing	ABS
Dimensions	Length 135mm x Width 85mm x Height 40mm

## Dimension



## Wiring Diagram



## Ordering Information

VT300

CO Measuring Range	Code
0-100 ppm	1
0-300 ppm	2
0-500 ppm	3
Specific	4

CO <sub>2</sub> Measuring Range	Code
0-2000 ppm	1
0-5000 ppm	2
Specific	3

Temperature Measuring Range	Code
0-50 °C	1
0-100 °C	2
Specific	3

Output	Code
4-20 mA	M1
1-5V	V1
2-10V	V2

LCD Display	Code
Yes	Y
No	N

Backlight LCD Indication	Code
None	0
White	1
Green	2
Blue	3
Orange	4
Changed by CO Concentration	5
Changed by CO <sub>2</sub> Concentration	6

RS485	Code
Yes	Y
No	N