

VTRH-300W

Duct-mount Temperature / Humidity Transmitter



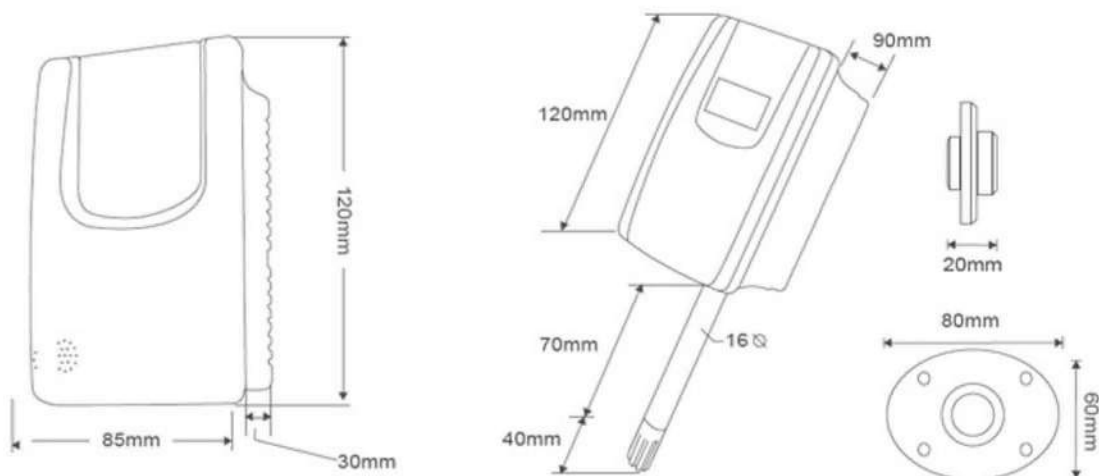
Features

- CMOSENS technical develop temperature & humidity sensor
- 4 ~ 20mA or 0 ~ 10V can use along with PLC, DDC, DCS system control
- RS-485 communication (MODBUS RTU mode)
- Original set point reset
- ZERO and SPAN inner digital key for user to adjust
- High accuracy, high stability & fast response, exquisite, save electric, anti-noise
- HVAC cooling system available

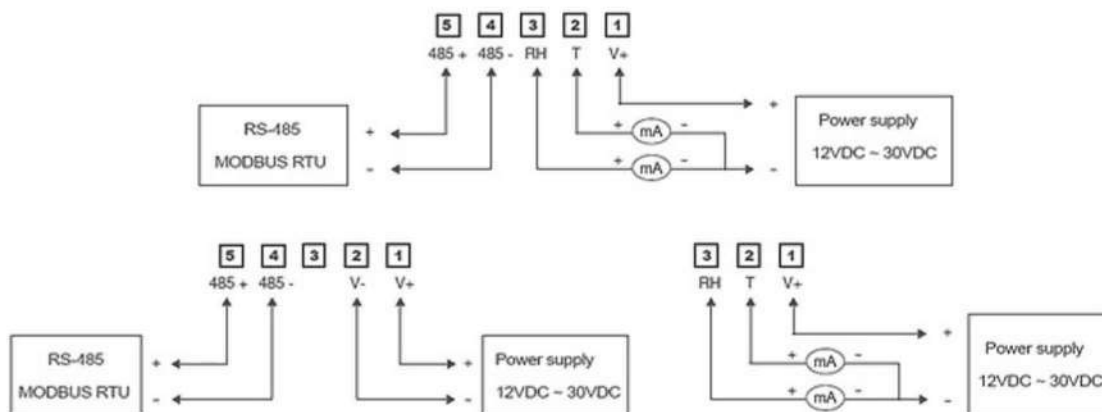


| Specification | |
|---------------------|---|
| Measuring Range | Temperature : 0~50 °C (-50~+80 °C or 0~100 °C) Humidity : 0~100%RH |
| Accuracy | ± 2% RH ± 0.3 °C FS ; ± 3% RH ± 0.4 °C FS |
| Output Signal | Temperature : 4~20 mA (Resistive 600Ω max.) or 0~10V (Resistive 600Ω min.) or RS-485 MODBUS RTU Humidity : 4~20 mA (Resistive 600Ω max.) or 0~10V (Resistive 600Ω min.) or RS-485 MODBUS RTU |
| Power Supply | 12~30VDC ± 5% |
| Ambient Temperature | -20 °C ~80 °C |
| Ambient Preserve | Temperature : ~10+60 °C Humidity : 0~90%RH |
| Sensing Element | CMOSens Chip of temperature and humidity sensor |
| Response Time | 3sec |
| Current Consumption | <4mA |
| Grade Anti-Leak | IP 54 |
| Case | ABS |
| Weight | Approx. 176g |

Dimension



Electrical Connection



Ordering Information

VTRH-300W

| Input signal | Code |
|------------------------------------|------|
| Temperature & Humidity Transmitter | 1 |
| Humidity Transmitter | 2 |
| Temperature Transmitter | 3 |

| Output | Code |
|-----------|------|
| 4 ~ 20 mA | M |
| 0 ~ 10 V | V |
| RS-485 | C |

| Code | |
|-------------|---|
| LCD display | D |
| None | N |

| Accuracy | |
|----------|---|
| 2%RH | A |
| 3%RH | B |