



VT9621+ Fuzzy Enhanced PID Duel Channel Controller



Feature:

- ▶ T/C, RTD, Linear Input selection.
- ▶ Fuzzy enhanced PID Control.
- ▶ Auto / Manual Bumpless Transfer.
- ▶ Two alarm output.
- ▶ Standby and Latch mode can be combined with 8 different alarm functions.
- ▶ Ramp to set point and soak functions.
- ▶ Soft- start function.
- ▶ Universal power supply : 100~240VAC, 50/60Hz.

Optional:

- ▶ Output 2 for cooling control.
- ▶ PV or SV Retransmission.
- ▶ RS-485 communication.(MODBUS RTU)

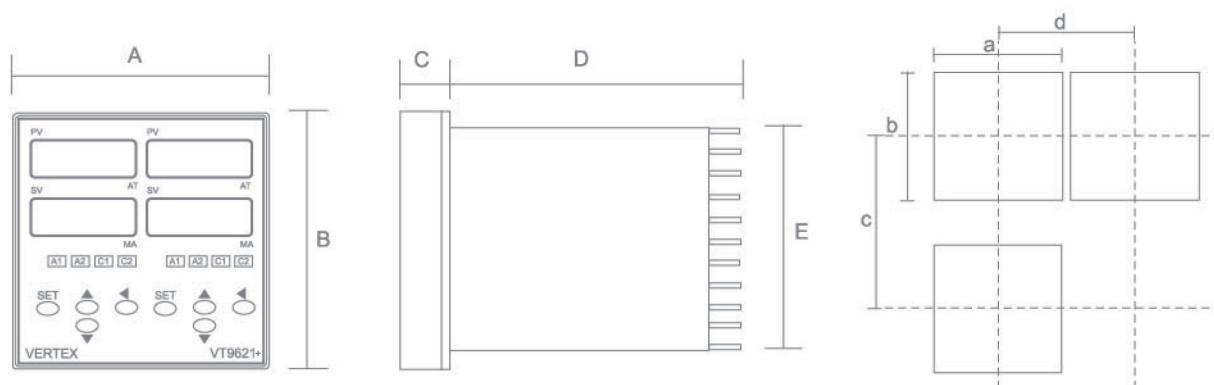


Specifications	
Input	Thermocouple: J. K. T. E. B. R. S. N.C
	RTD: DIN PT-100; JIS PT-100
	Linear: 4~20mA; 0~50mV; 1~5V; 0~10V...
Accuracy	T/C±1 °C; RTD±0.2 °C; Linear±3 μV
Sampling Time	0.1 sec.
Control	Proportional Band: 0.0~300.0% F.S
	Integral Time: 0~3600 sec.
	Derivative Time : 0~900 sec.
	Hysteresis: 0.0~200.0 or 0~2000
	Cycle Time: 0~100 sec.
Output Cycle Time	Relay 15 sec.
	Pulsed Voltage to Drive SSR: 1sec.
	Continuous Current (Voltage): 0 sec.
	Relay Contact Output: 10A/240 VAC (Resistive load)
Output	Pulsed Voltage Output to Drive SSR: DC 0/24V (Resistive 250Ω min.)
	Current Output: 4~20mA (Resistive 600Ω max.)
	Continuous Voltage Output: 0~50mV; 1~5V; 0~10V..... (Resistive 600Ω min.)
	Rated Voltage: 100~240VAC 50/60Hz
	Ambient Temperature: 0~50 °C
General	Ambient Humidity: 0~90 %
	Consumption: Less than 5VA

Input		
Type	Temperature	Range
J	-50 °C ~ 1000 °C	-58 °F ~ 1832 °F
K	-50 °C ~ 1370 °C	-58 °F ~ 2498 °F
T	-270 °C ~ 400 °C	-454 °F ~ 752 °F
E	-50 °C ~ 750 °C	-58 °F ~ 1382 °F
B	0 °C ~ 1800 °C	32 °F ~ 3272 °F
R	0 °C ~ 1750 °C	32 °F ~ 3182 °F
S	0 °C ~ 1750 °C	32 °F ~ 3182 °F
N	-50 °C ~ 1300 °C	-58 °F ~ 2372 °F
C	-50 °C ~ 1800 °C	-58 °F ~ 3272 °F
DPT	-200 °C ~ 850 °C	-328 °F ~ 1652 °F
JPT	-200 °C ~ 650 °C	-328 °F ~ 1202 °F
LINE		-1999 ~ 9999

Alarm Functions	
PV High Alarm	PV Low Alarm
Deviation High Alarm	Deviation Low Alarm
Band High Alarm	Band Low Alarm
PV High Alarm with Delay Time	PV Low Alarm with Delay Time

Dimension

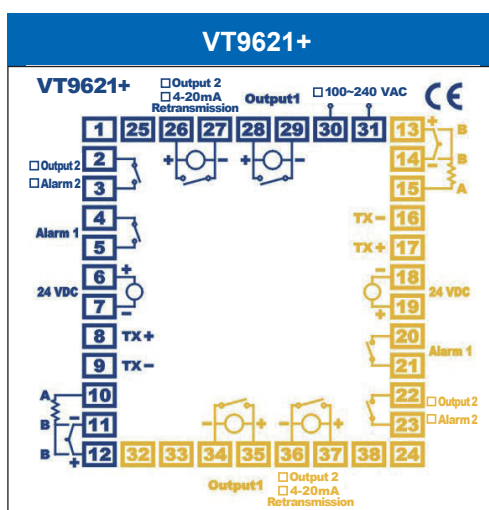


(Unit: mm)

PANEL CUTOUT :

Model	A	B	C	D	E	a	b	c	d
VT-9621+	96	96	10	80	91	92 ^{+0.5}	92 ^{+0.5}	120	96

Wiring Diagram



Ordering Information

VT9621+

1 2 3 4 5 1 2 3 4

Input	1 1 Code
T/C	T
PT100(RTD)	D
0-60mV DC	L
0-10V	V
0-24mA	M

Output 1 (Heating)	2 2 Code
Relay	R
SSR	P
4~20mA DC	M
Continuous Voltage	V

Output 2 (Cooling)	3 3 Code
None	N
Relay	R
SSR	P
4~20mA DC	M
Continuous Voltage	V

Selection	4 4 Code
None	N
RS-485	C
Retransmission	R

Power Supply	5 Code
100~240VAC 50/60 Hz	A

Note 1: If input code "L" is selected, please specify the input Signal and scale, for example: 4~20mA, 0.0~100.0

Note 2: If output code "O" is selected, please specify the output Signal, for example: 1~5V