

# VTRH-300D

Duct-mount Temperature / Humidity Transmitter



## Features

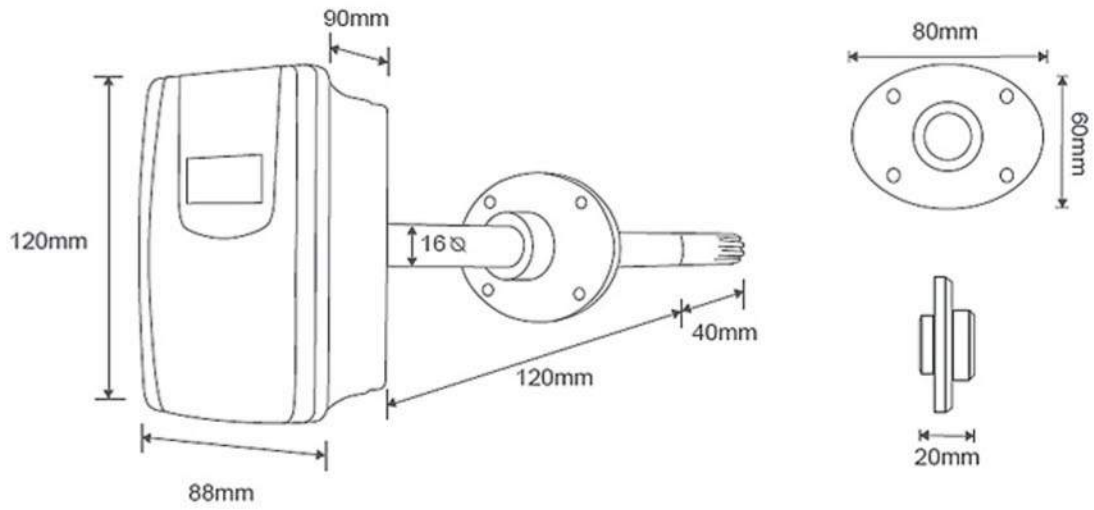
- CMOSENS technical develop temperature & humidity sensor
- 4 ~ 20mA or 0 ~ 10V can use along with PLC, DDC, DCS system control
- RS-485 communication (MODBUS RTU mode)
- Original set point reset
- ZERO and SPAN inner digital key for user to adjust
- High accuracy, high stability & fast response, exquisite, save electric, anti-noise
- HVAC cooling system available



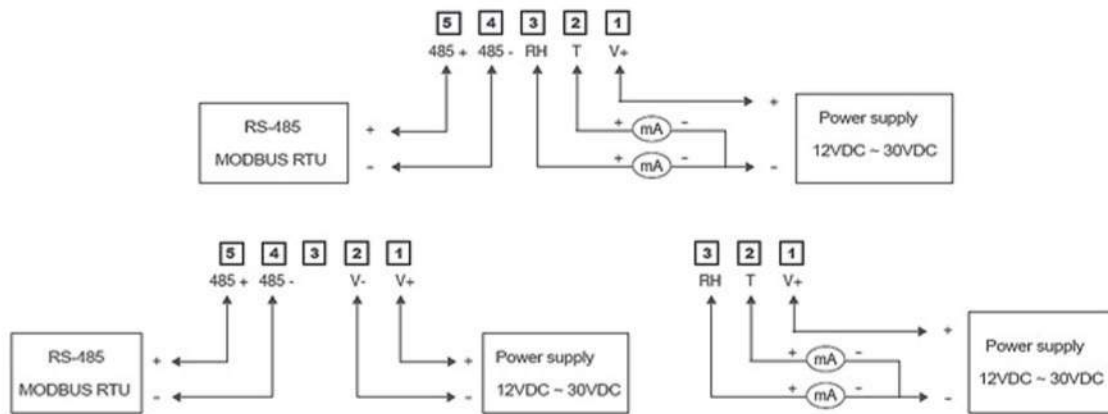
## Specification

Measuring Range	Temperature : 0~50 °C (-50~+80 °C or 0~100 °C) Humidity : 0~100%RH
Accuracy	± 2% RH ± 0.3 °C FS : ± 3% RH ± 0.4 °C FS
Output Signal	Temperature : 4~20 mA (Resistive 600Ω max.) or 0~10V (Resistive 600Ω min.) or RS-485 MODBUS RTU Humidity : 4~20 mA (Resistive 600Ω max.) or 0~10V (Resistive 600Ω min.) or RS-485 MODBUS RTU
Power Supply	12~30VDC ± 5%
Ambient Temperature	-20 °C ~ 80 °C
Ambient Preserve	Temperature : ~10+60 °C Humidity : 0~90%RH
Sensing Element	CMOSens Chip of temperature and humidity sensor
Response Time	3sec
Current Consumption	<4mA
Grade Anti-Leak	IP 54
Case	ABS
Weight	Approx. 176g

## Dimension



## Electrical Connection



## Ordering Information

### VTRH-300D

Input signal	Code
Temperature & Humidity Transmitter	1
Humidity Transmitter	2
Temperature Transmitter	3

Output	Code
4 ~ 20 mA	M
0 ~ 10 V	V
RS-485	C

Code	
LCD display	D
None	N

Accuracy	
2%RH	A
3%RH	B