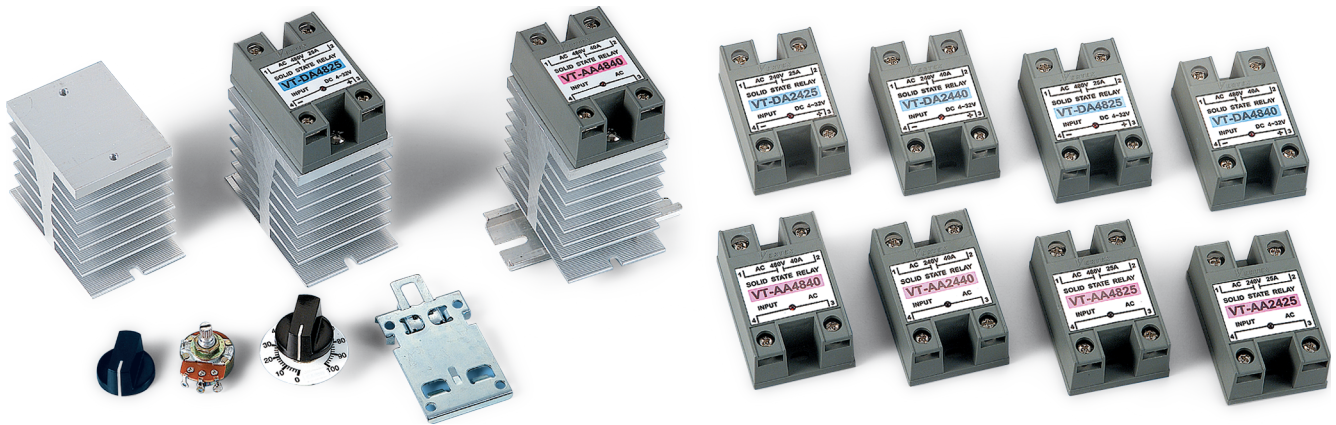


Solid State Relay

Features :

- ▶ Control signals of 4~32 Vdc, 90~250 Vac or resistance potentiometer.
- ▶ 25 amps or 40 amps load switching.
- ▶ 250Vac & 480 Vac line voltage ratings.
- ▶ Zero voltage Turn-on.
- ▶ Zero Current Turn-off.
- ▶ Built-in Snubber Circuit Protection.
- ▶ "LED" Indicating Control Signal Status.
- ▶ Low Leakage.
- ▶ DIN Rail & Panel Mount Heat Sinks Available.
- ▶ Low Input current. (7 mA (Max) @ 32 Vdc)
- ▶ CE Approval.



Input Specifications

	DC Input	AC Input	Potentiometer Input
Input range	4~32Vdc	90~280Vrms	500K ohms
Max. Turn-On Voltage	4.0Vdc	80Vrms	—*
Min. Turn-Off Voltage	3.5Vdc	60Vrms	—*
Input Current	7 mA@32Vdc	0.6mA@240Vrms	—*

Output Specifications

	DA2425, (DA4825) AA2425, (AA4825)	DA2440, (DA4840) AA2440, (AA4840)	VA1225 (VA2425)	VA1225 (VA2425)
Model numbers				
Operating voltage (50/60Hz)	90~280 (90~530) V(rms)	90~280 (90~530) V(rms)	120(240) V(rms)	120(240) V(rms)
Max. Load current @ 25°C ambient temperature	25A(rms)	40A(rms)	25A(rms)	40A(rms)
Min. Load current	0.1A(rms)	0.1A(rms)	0.1A(rms)	0.1A(rms)
Max. Surge peak on-state current (16.7ms)	260A	420A	260A	420A
Max. On-state voltage drop @ rated current	1.6V	1.6V	1.6V	1.6V
Max. Off-state leakage current @ rated voltage	3mA(rms)	5mA(rms)	3mA(rms)	5mA(rms)
Min. Off-state dv/dt @ Max. Read voltage	1000V/ µsec	1000V/ µsec	1000V/ µsec	1000V/ µsec
Transient overvoltage	800V	800V	800V	800V
1 ² t for fusing	340A ² s	880A ² s	340A ² s	880A ² s
Max. Turn-On time	1/2 Cycle*	1/2 Cycle*	1/2 Cycle*	1/2 Cycle*
Max. Turn-Off time	1/2 Cycle*	1/2 Cycle*	1/2 Cycle*	1/2 Cycle*

* Not available for potentiometer input type.

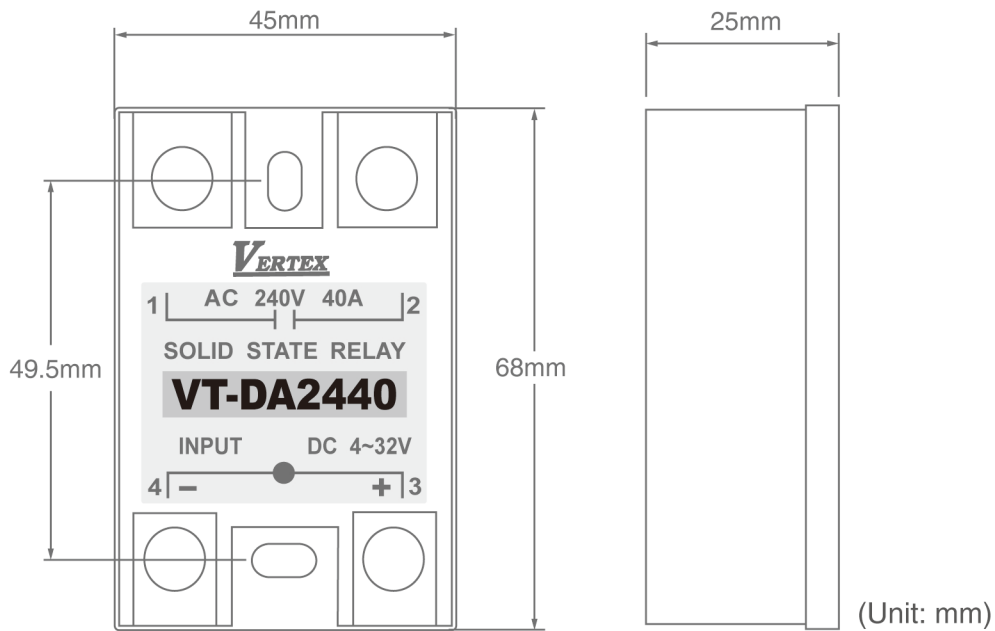
General Specifications

Isolation voltage (AC, 1 minute)	5000V(rms)
Isolation resistance (Min.)@500VDC	10 ¹² Ω
Max. Capacitance input/output	0.8pF
Ambient operating temperature range	-40~80°C
Ambient storage temperature range	-40~125°C
status indicating display	Red LED indicator

Mechanical Specifications

Weight	110g
Encapsulation	Thermally conductive epoxy

Dimension



Accessory Options

Heat Sink (Part No.GS- _ _ _)

Vertex Heat Sinks offer excellent thermal management and are perfectly matched to the load current ratings of Vertex's solid state relay.

Part No.

GS-050 (83mm*68mm*50mm)

GS-150 (83mm*68mm*150mm)

GS-200 (83mm*68mm*200mm)

GS-250 (83mm*68mm*250mm)

GS-300 (83mm*68mm*300mm)

Din Rail Bracket (Part No.GS-S-L)

Din rail bracket combined with Vertex heat sink make it possible to convert panel mount type to din rail mount type.

Ordering Information

Input	Code	Line voltage	Code	Line current	Code
4~32VDC input	DA	90~280VAC	24	25A	25
90~280VAC	AA	90~530VAC	48	40A	40
500K ohms potentiometer input	AA	240VAC	24	25A	25
				40A	40